



**Motic®**

MORE THAN MICROSCOPY

# SMZ-171

The Next Generation  
Stereo Microscope

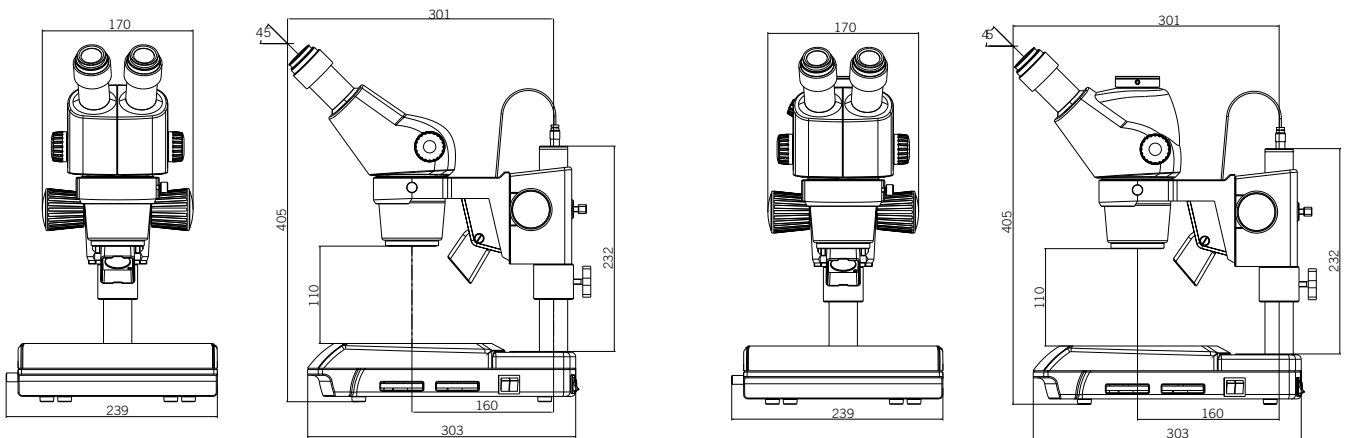


- ESD and non ESD version
- New lead free optical design
- Greenough optic system
- Compact and rugged
- Light weight
- Anti fungus
- Interlock eyepieces tube
- LED stand
- 3W LED Transmitted Illumination
- 3W LED Incident Illumination
- Switching power supply for use worldwide (100-240V)
- Long lasting bulb, lamp life up to 25,000 hrs.
- Outstanding price-performance ratio

## Specification:

Model	SMZ-171BL	SMZ-171TL
Optical system	Greenough	
Observation angle	45°/ 60°	45°
Magnification range (standard)	0.75X--5X	
Zoom ratio	1:6.7	
Eyepiece	N-WF, high eye-point 10X(Ø23), Diopter adjustable interchangeable with biological eyepieces	
	N-WF 12.5X(Ø18), 15X(Ø16), 20X(Ø13) optional	
Interpupillary adjustment	48mm-75mm	
Height of eye point	405mm	
Working distance (standard)	110mm	
Weight	6.2 kg (head 1.4kg)	
C-Mount adapter	/	Trinocular head only
Photo adapter	/	0.5X, 0.65X, 1X adapters available
	/	SY10 photo adapter 2.5X, 4X photo eyepiece available
Auxiliary ESD objectives	0.3X [WD = 301mm], 0.5X [WD = 191.8mm], 0.63X [WD = 142.7mm], 0.75X [WD = 128.6mm], 1.5X [WD = 56.3mm ], 2.0X [WD = 38.6mm]	
Max. working distance	301mm	
Stand option	Stable pole stand and arm base stand available 3W LED incident and transmitted light with reflector design Improved design for various boom stands for industrial use	

## Dimensions:



For more detailed information and available accessories as well OEM-Solution. Please contact us!

[www.motic.com](http://www.motic.com)

### Motic Instruments (CANADA)

130 - 4611 Viking Way, Richmond, BC V6V 2K9 Canada  
Tel: 1-877-977 4717 Fax: 1-604-303 9043

### Motic Deutschland GmbH (GERMANY)

Christian-Kremp-Strasse 11, D-35578 Wetzlar, Germany  
Tel: 49-6441-210 010 Fax: 49-6441-210 0122

### Motic Incorporation Ltd. (HONG KONG)

Rm 2907-8, Windsor House, 311 Gloucester Road,  
Causeway Bay, Hong Kong  
Tel: 852-2837 0888 Fax: 852-2882 2792

### Motic Spain, S.L. (SPAIN)

Polígono Industrial Les Corts, Camí del Mig, 112  
08349 Cabrera de Mar, Barcelona, Spain  
Tel: 34-93-756 6286 Fax: 34-93-756 6287

\* CCIS® is a trademark of Motic Incorporation Ltd.

Motic Incorporation Limited Copyright © 2002-2010.  
All Rights Reserved.

### Design Change :

The manufacturer reserves the right to make changes in instrument design in accordance with scientific and mechanical progress, without notice and without obligation.



05.2012 Code: 1300901304161

