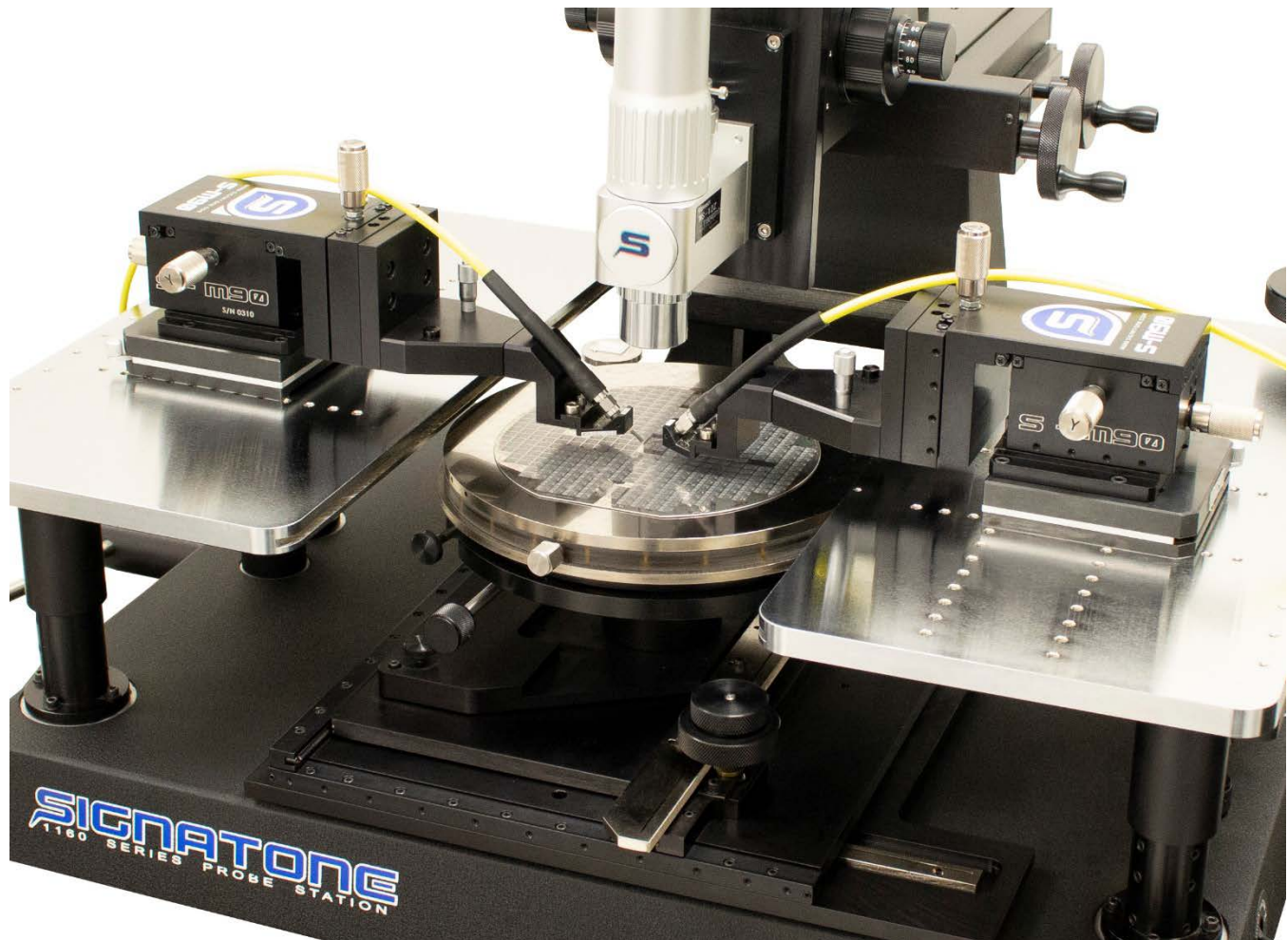


Signatone S-M90 Stable, RF Micropositioner



❖ FEATURES / APPLICATIONS

Signatone offers an extensive line of Micropositioners to address virtually every probing and measurement application, ranging from the very simple to the highly complex sub-micron high-resolution positioners.

The S-M90 stable 4-axis Micropositioner For RF probe heads, High power probe heads, 4-point resistivity probe heads, Wedge cards, glass slides for material handling and a variety of other uses. The smooth motion of the X-Y & Z knobs (at 90°) along with the micrometer driven planarization knob makes the S-M90 one of the most general-purpose positioners in the RF and High-power probing markets.

Designed for a Variety of Probing Applications

- RF DC-110 GHz
- High Power Test
- Resistivity Measurements
- Wedge Card Probing
- Material Transfer
- MEMS Test
- Your Application

❖ **SPECIFICATIONS**

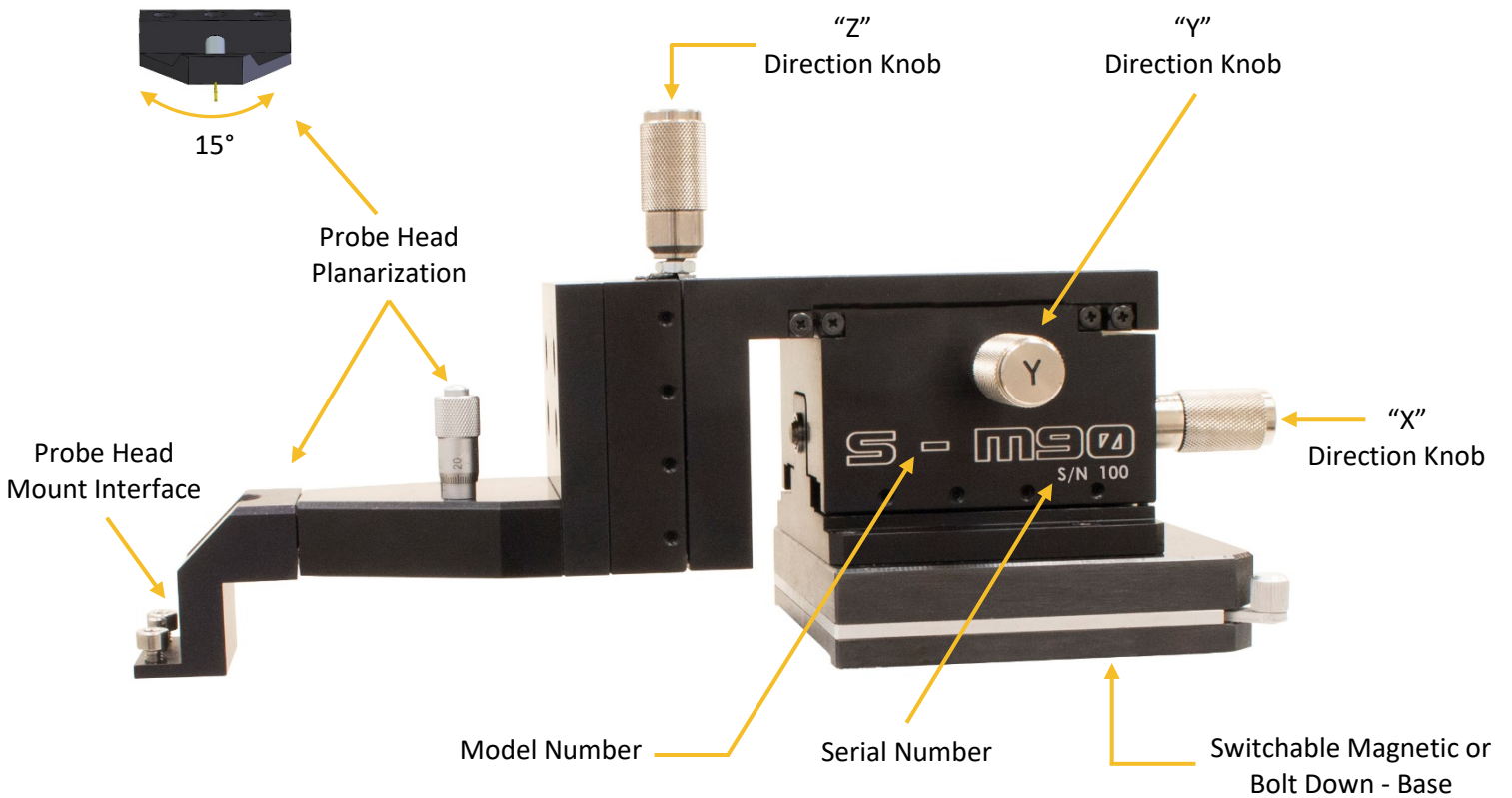
Model S-M90

Travel range	X-Y-Z = 25 mm
Planarization range	± 7.5° (0.1° resolution)
Feature resolution	2µm
Mounting	Switchable Magnetic or Bolt-down
Orientation	North-South/ East-West
Footprint	See Next Page

Application

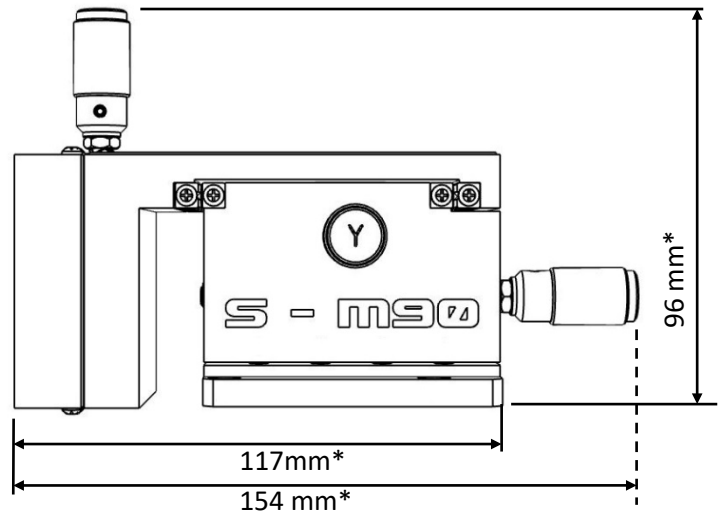
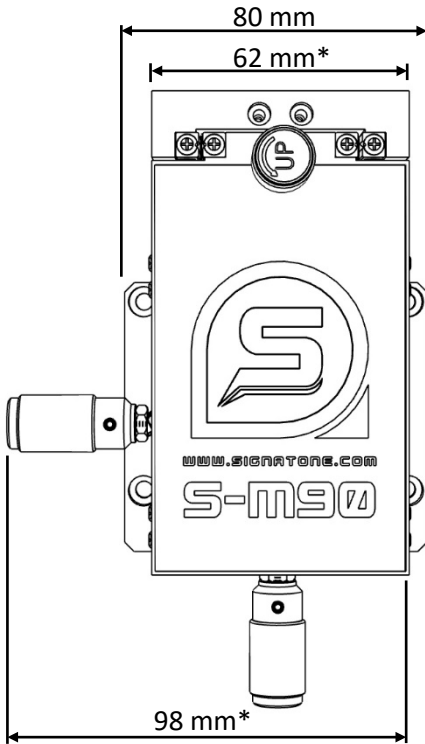
Stable base/ allows for accurate probing
RF DC to 110 GHz
Wedge cards
4-point resistivity probing
High-current probing

S-M90-MMW

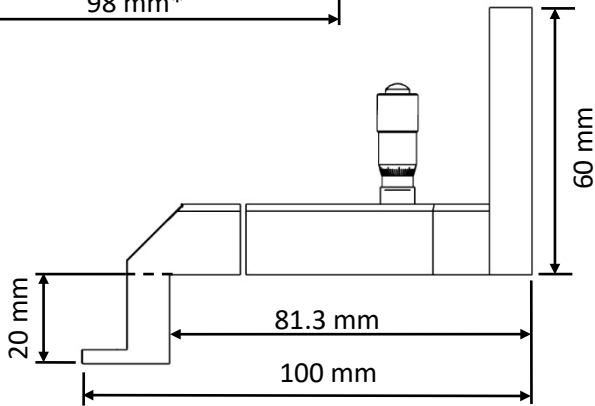


❖ **DIMENSIONS – S-M90 Body, Switchable Magnet Base, Bolt Down - Hard Mount**

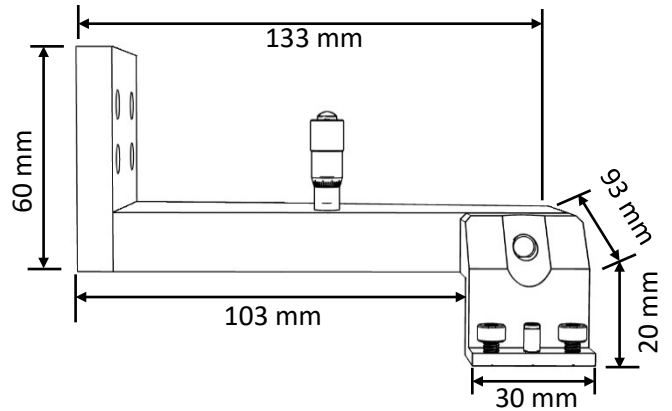
S-M90



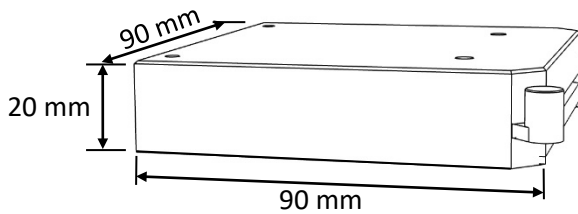
Note * = Center of Travel



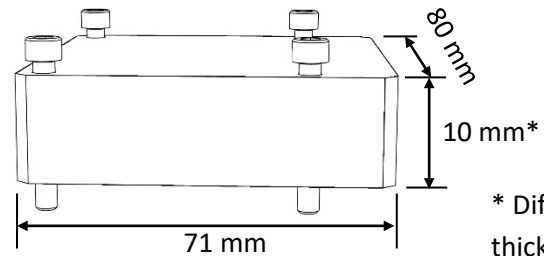
East-West Probe Arm



North - South Probe Arm



Switchable Magnet Base



Hard Mount – Bolt Down Base

* Different thickness' available

❖ RF PROBE –SELECTION GUIDE



Cable Interface

	SP-40A	SP-50A	SP-67A	SP-110H	SP-145
Frequency	DC-40GHz	DC-50GHz	DC-67GHz	DC-110GHz	DC-145GHz
Connector	2.92mm	2.4mm	1.85mm	1.0mm	0.8mm
Tip Configuration	GS/SG/GSG	GS/SG/GSG	GS/SG/GSG	GS/SG/GSG	GSG
Pitch Range	50μ - 2540μ	50μ - 1250μ	50μ - 1250μ	50μ - 1250μ	50μ - 200μ
Insertion Loss	<.8db	<1.0db	<1.1db	<1.5db	<1.75db
Return Loss	> 18db	>18db	>14db	>15db	>15db



Calibration Substrates

GSG	SP-CS-5	SP-CS-9	SP-CS-10	SP-CS-18
Pad Size	50μ X 50μ	100μ X 100μ	150μ X 150μ	300μ X 300μ
	100μ X 100μ			
	150μ X 150μ			
Pitch Range	75μ - 250μ	250μ - 600μ	600μ - 1250μ	1250μ - 2540μ

GS/SG	SP-CS-8	SP-CS-14	SP-CS-11	SP-CS-17
Pad Size	50μ X 50μ	100μ X 100μ	150μ X 150μ	300μ X 300μ
	100μ X 100μ			
	150μ X 150μ			
Pitch Range	50μ - 200μ	200μ - 400μ	400μ - 1250μ	750μ - 2540μ

GSG > 110GHz	SP-CS-15
Pad Size	25μ X 25μ
Pitch Range	40μ - 150μ (SOLT) 30μ - 150μ (LRM)



RF Cables

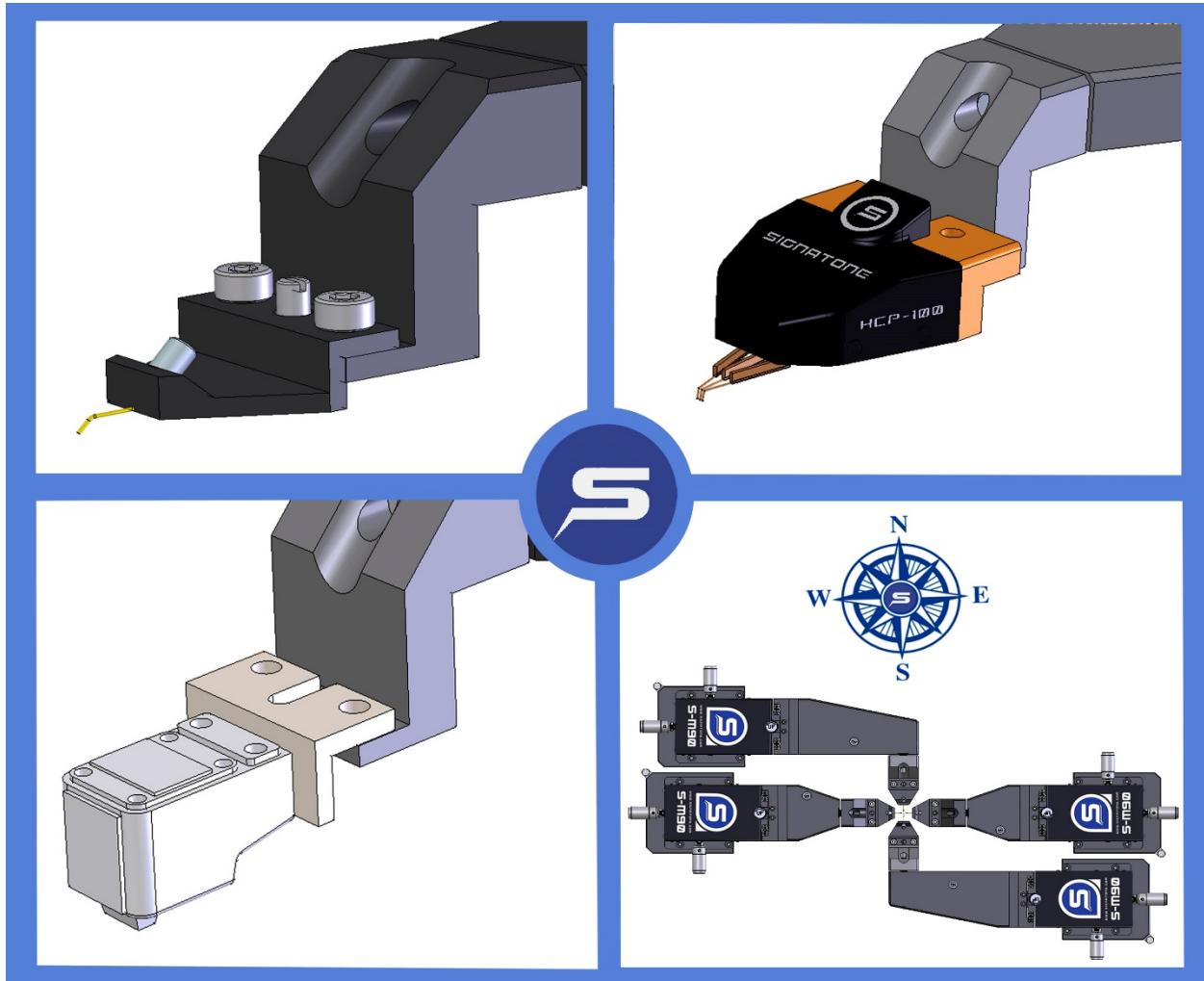
	RFC-40	RFC-50	RFC-67	RFC-110
Frequency Range	DC - 40GHz	DC - 50GHz	DC - 67GHz	DC - 110GHz
Length	4 Ft.	4 Ft.	3 Ft.	*
Connectors	2.92 M – 2.92 F	2.4 M – 2.4 F	1.85 M - 1.85 F	1.0 M - 1.0 F

* Contact Factory

❖ **WARRANTY**

- Standard Warranty 12 months *
For Extended Warranty and Service Contracts contact Signatone Corp. for more information

* See Signatone Corporate Terms and Conditions of Sale for further details.



- North America: Sales.NA@signatone.com
- Europe: Sales.Europe@signatone.com
- Asia: Sales.Asia@signatone.com

