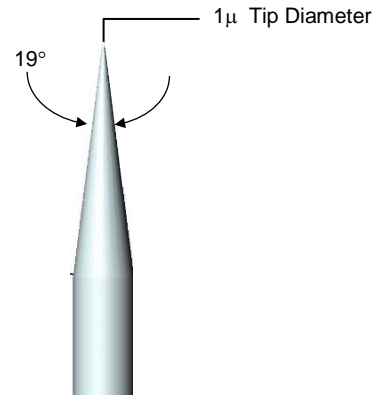


Signatone Multi Purpose Probe Tips

❖ Model SE-SM

- Material-Tungsten Tip
- Point /Tip - Diameter = 1 μ
- Length = 50.1mm / 2"
- Shank Diameter = 0.63mm
- Fabrication – Chemical Etch
- Typical Use - 1 μ to 10 μ delicate structures
- Typical Test – Special, DC, CV/IV



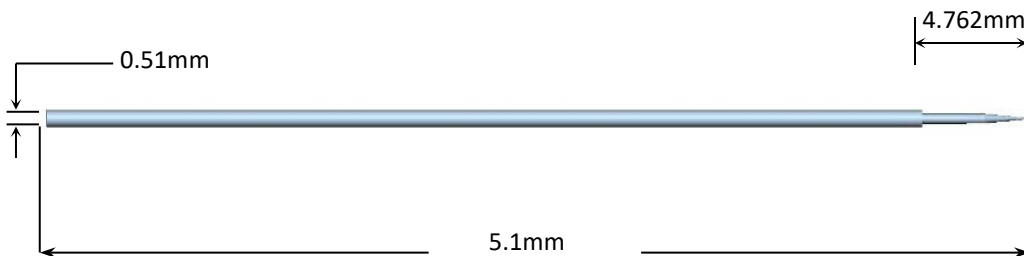
❖ A Tip for Every Test

Model SE-SM (Etched Tip)

Offering a wide variety of passive probe tips to suit virtually every probing requirement.

This uncommon style probe tip (referred to as "Cat Whisker") includes a small wire welded to a larger wire that is tapered to a fine tip. This effect/ taper is achieved by a very precise etching process (recommended for probing delicate line or structures.)

The SE-SM is a Special-purpose "**Cat Whisker**" probe tip with an overall length of 50.1mm/2" made with a 0.51mm diameter nickel plated copper wire that includes a 22 μ tungsten wire welded to the end of the shank. The tip has been chemically etched to 1 μ . The shaft may be bent to support virtually any probing configuration. The flexible tip minimizes damage to integrated circuits and allows probing of the device for a much longer period of time. Typical use: probing submicron – delicate structures.



Tips are sold by the box including quantity of 5 tips



❖ WARRANTY

- Standard Warranty 12 months *
- Note: Probe Tips, Probe Tip Holders, and 4-Point Probe Heads are considered consumable items and are not covered under the standard warranty

** See Signatone Corporate Terms and Conditions of Sale for further details.*

- **North America:** Sales.NA@signatone.com
- **Europe:** Sales.Europe@signatone.com
- **Asia:** Sales.Asia@signatone.com

