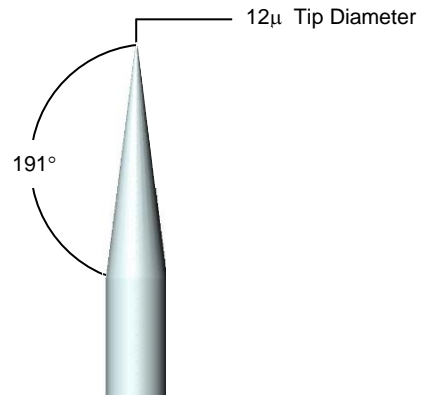


Signatone Multi Purpose Probe Tips

❖ Model SE-O

- Material-Osmium
- Point /Tip - Diameter = 12 μ
- Length = 19mm / 0.75"
- Shank Diameter = 0.63mm
- Fabrication - Precision Ground
- Typical Use - 25 μ to 400 μ Pad - Metal
- Typical Test – General, DC, Hi Power



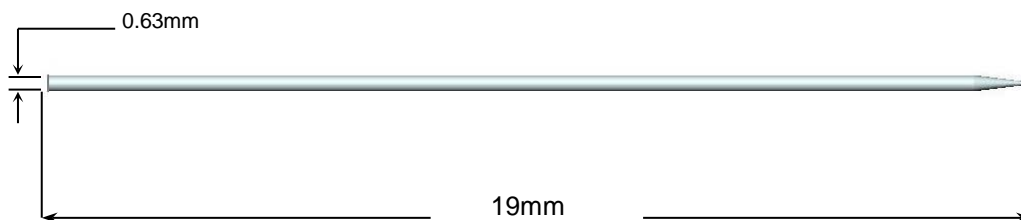
❖ A Tip for Every Test

Model SE-O (Ground Tip)

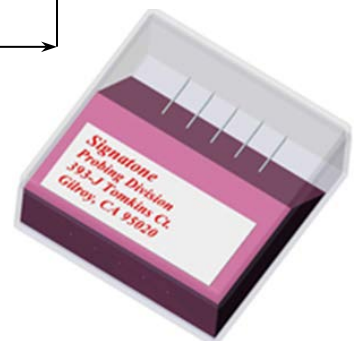
Offering a wide variety of passive probe tips to suit virtually every probing requirement.

The most common style probe tip (referred to as "Hard-TIP") includes a taper or angle from the probe shaft to the tip. This effect is achieved by etching or a grinding process on the material allowing more mass at the tip end. (recommended for probing through passivation or hard materials)

The SE-O is a Unique Probe tip made with a 19mm /0.75" long, 0.63mm diameter Steel wire with a fused on Osmium tip that has been precision ground down to 12 μ (micron). The shank may be bent into a variety of shapes to meet the most probing configurations This tip is designed for probing on (soft materials). typical 25 μ to 400 μ pads or structures.



Tips are sold by the box including quantity of 5 tips



❖ WARRANTY

- Standard Warranty 12 months *
- Note: Probe Tips, Probe Tip Holders, and 4-Point Probe Heads are considered consumable items and are not covered under the standard warranty

** See Signatone Corporate Terms and Conditions of Sale for further details.*

- **North America:** Sales.NA@signatone.com
- **Europe:** Sales.Europe@signatone.com
- **Asia:** Sales.Asia@signatone.com

