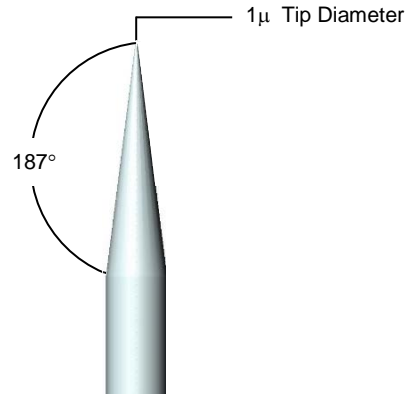


Signatone Multi Purpose Probe Tips

❖ Model SE-10TZ

- Material-Tungsten
- Point /Tip - Diameter = 1 μ
- Length = 31.75mm / 1.25" ("Z"-Bend)
- Shank Diameter = 0.254mm
- Fabrication - Precision Ground
- Typical Use - 1 μ to 10 μ Metal Line or Pad
- Typical Test – General, DC, CV/IV



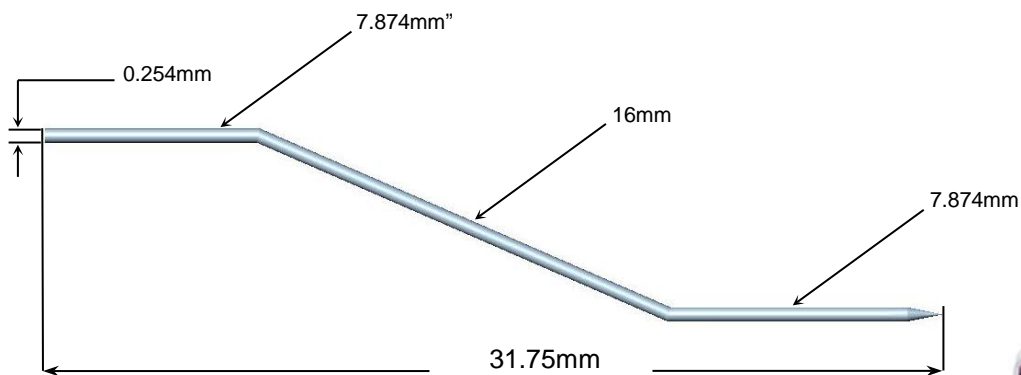
❖ A Tip for Every Test

Model SE-10TZ (Ground Tip)

Offering a wide variety of passive probe tips to suit virtually every probing requirement.

The most common style probe tip (referred to as "Hard-TIP") includes a taper or angle from the probe shaft to the tip. This effect is achieved by etching or a grinding process on the material allowing more mass at the tip end. (recommended for probing through passivation or hard materials)

The SE-10TZ is a general-purpose **Z-Bent** probe tip made with a 31.75mm /1.25" long, 0.254mm diameter tungsten wire that has been precision ground down to 1 μ (micron). The shank is Bent into a "Z" shape for low profile probing w/ 45° probe holder mount. This is our sharpest "precision ground tip and is typically used for small geometry probing i.e. 1 μ to 10 μ lines or small <10 μ structures.



Tips are sold by the box including quantity of 5 tips



❖ WARRANTY

- Standard Warranty 12 months *
- Note: Probe Tips, Probe Tip Holders, and 4-Point Probe Heads are considered consumable items and are not covered under the standard warranty

* See *Signatone Corporate Terms and Conditions of Sale* for further details.

- **North America:** Sales.NA@signatone.com
- **Europe:** Sales.Europe@signatone.com
- **Asia:** Sales.Asia@signatone.com



