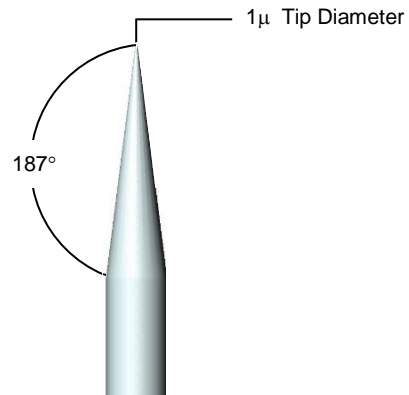


Signatone Multi Purpose Probe Tips

❖ Model SE-10T

- Material-Tungsten
- Point /Tip - Diameter = 1μ
- Length = 31.75mm / 1.25"
- Shank Diameter = 0.254mm
- Fabrication - Precision Ground
- Typical Use - 1μ to 10μ Metal Line or Pad
- Typical Test – General, DC, CV/IV



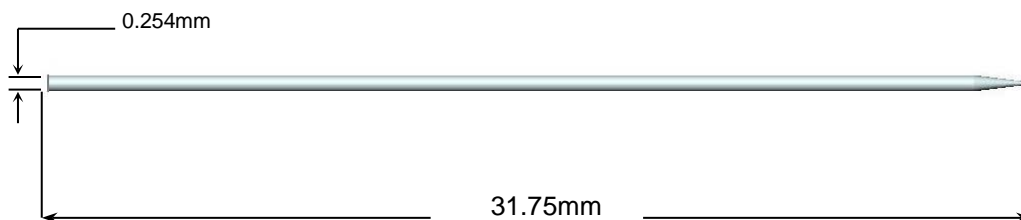
❖ A Tip for Every Test

Model SE-10T (Ground Tip)

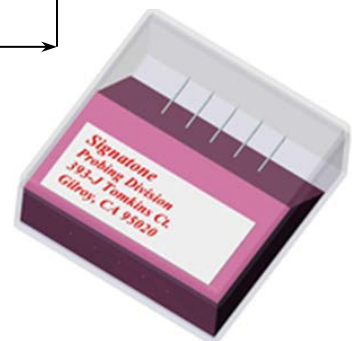
Offering a wide variety of passive probe tips to suit virtually every probing requirement.

The most common style probe tip (referred to as "Hard-TIP") includes a taper or angle from the probe shaft to the tip. This effect is achieved by etching or a grinding process on the material allowing more mass at the tip end. (recommended for probing through passivation or hard materials)

The SE-10T is a general-purpose probe tip made with a 31.75mm /1.25" long, 0.254mm diameter tungsten wire that has been precision ground down to 1μ (micron). The shank may be bent into a variety of shapes to meet the most complex probing configurations. This is our sharpest "precision ground tip and is typically used for small geometry probing i.e. 1μ to 10μ lines or small <10μ structures.



Tips are sold by the box including quantity of 5 tips



❖ WARRANTY

- Standard Warranty 12 months *
- Note: Probe Tips, Probe Tip Holders, and 4-Point Probe Heads are considered consumable items and are not covered under the standard warranty

** See Signatone Corporate Terms and Conditions of Sale for further details.*

- **North America:** Sales.NA@signatone.com
- **Europe:** Sales.Europe@signatone.com
- **Asia:** Sales.Asia@signatone.com

